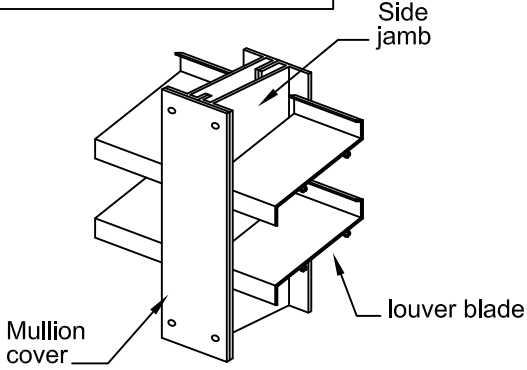


**SUBMITTAL DATA**

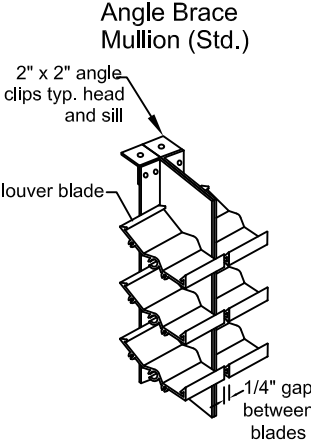
**Exposed Mullion**



(sheet metal screws @ 6" o.c., caulked underneath and around mullion cover)

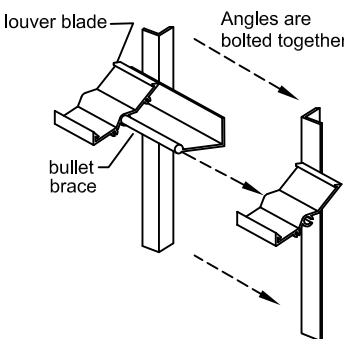
(Model EL-4 shown)

**Concealed Mullion**



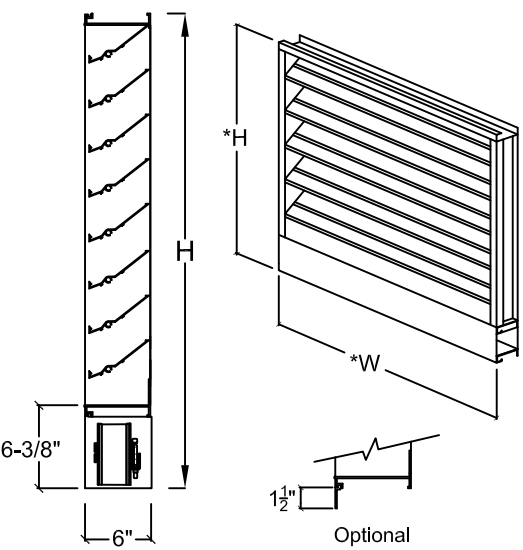
(Model FL-D-4 shown)

**Optional Bullet Brace Mullion**



(Model FL-D-4 shown)

**Concealed Actuator**

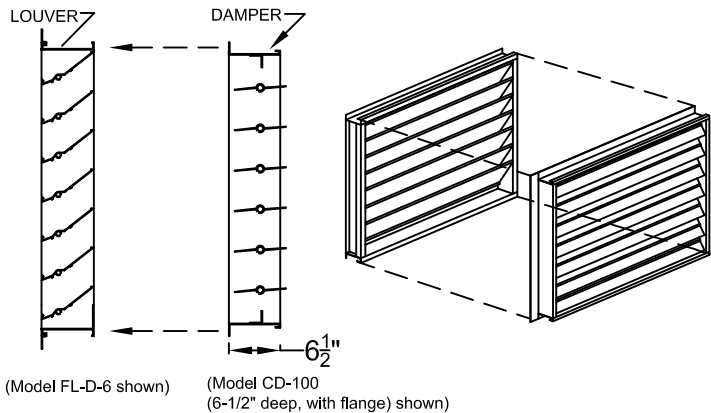


(Model AFL-D-6 shown)

Consult Factory for Actuators that fit in 4" deep Louvers- Most Actuators will fit 6" deep Louvers.

(linkage will be mounted in jamb)

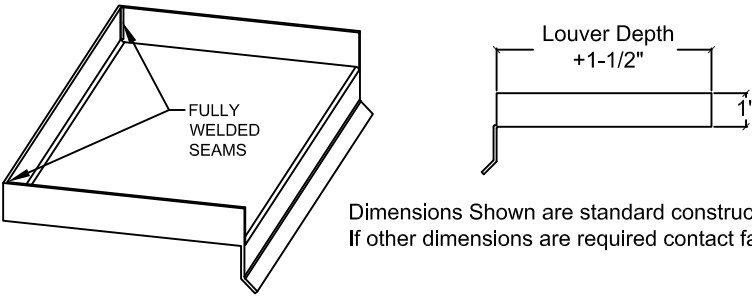
**Pre-mounted Damper to Louver**



(Model FL-D-6 shown)

(Model CD-100 (6-1/2" deep, with flange) shown)

**OPTIONAL EXTENDED SILL W/ END DAMS**



Dimensions Shown are standard construction. If other dimensions are required contact factory.

Due to continuing research, United Enertech reserves the right to change specifications without notice.

Job Name: \_\_\_\_\_

Location: \_\_\_\_\_

Architect: \_\_\_\_\_

Engineer: \_\_\_\_\_

Contractor: \_\_\_\_\_



3005 South Hickory Street  
Chattanooga, Tennessee 37407  
Tel: (423) 698-7715  
Fax: (423) 698-6629  
www.unitedenertech.com

**Louver Details**

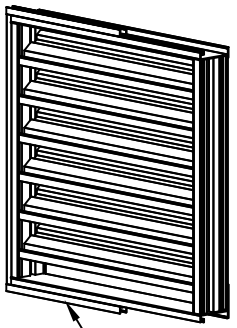
DRAWN BY: MHM	DATE: 3-24-10	REV. DATE: 9-12-14	REV. NO.: 1	APPROVED BY: BGT	DWG. NO.: A-54
---------------	---------------	--------------------	-------------	------------------	----------------

# SUBMITTAL DATA

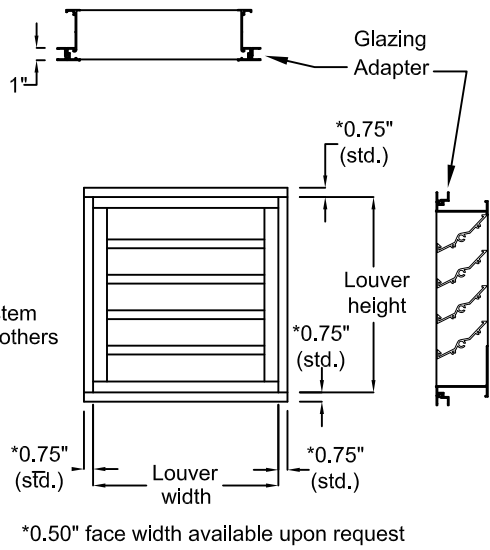
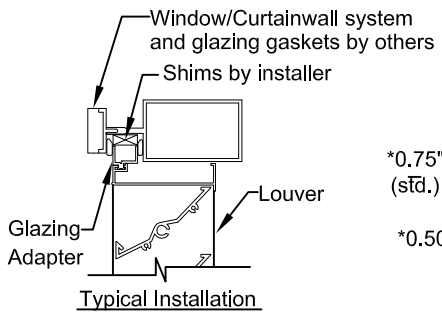
## Glazing Adapter

1" Glazing Adapter for curtainwall and window systems.  
For use with the following United Enertech Louver models:

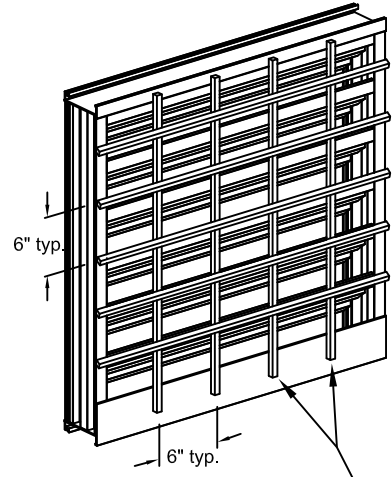
FL-D-2	EL-6	AFL-D-4	RD-4
FL-D-4	D-DR-4	AFL-D-6	VF-2
FL-D-6.1	D-DR-6	CFL-D-4	FLID-4
EL-2	SED-4	CFL-D-6	
EL-4	SED-5.1		



Glazing Adapter  
(.081" extruded aluminum)



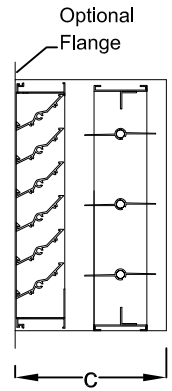
## Security Bars



Security bars are welded to rear of louver  
Available in \*Galvanized Steel (1/2" x 1/2")  
and \*\*Aluminum (3/8" x 3/8" or 1/2" x 1/2")  
(vertically & horizontally)

\*Steel security bars only available for steel louvers.  
\*\*Aluminum security bars only available for aluminum louvers.

## Louver/Damper Sleeve

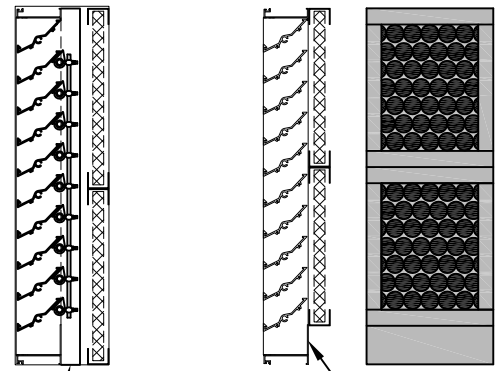


Any two or more products may be combined in a common sleeve. Include dimension "C" (sleeve depth) with order.

## Filter Racks

### Adjustable Louver

### Stationary Louver



Filter racks available for 1" or 2" filters. When ordering, specify filter depth. Unused portion behind louver is blanked-off with .050" alum. sheet metal. (filters furnished by others)

Job Name:  
Location:  
Architect:  
Engineer:  
Contractor:

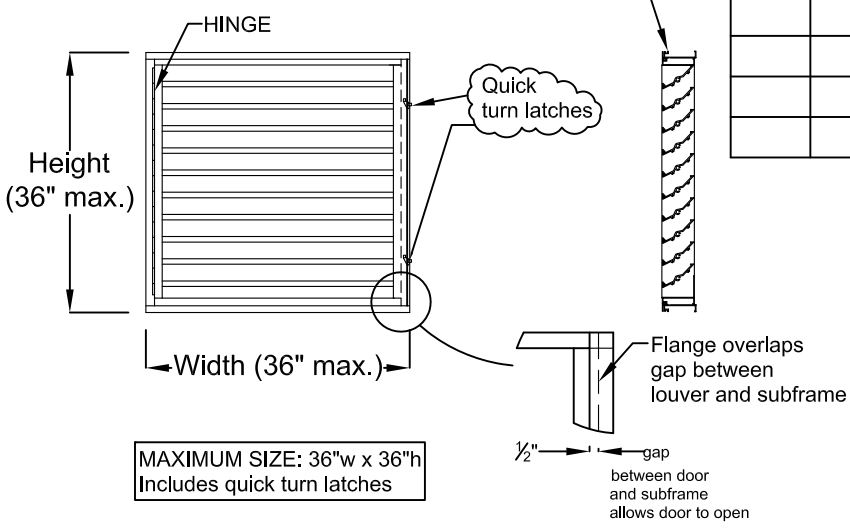
3005 South Hickory Street  
Chattanooga, Tennessee 37407  
Tel: (423) 698-7715  
Fax: (423) 698-6629  
www.unitedenertech.com

**Louver Details**

DRAWN BY:	DATE:	REV. DATE:	REV. NO.:	APPROVED BY:	DWG. NO.:
CLJ	3-24-10	4-16-13	2	BGT	A-55

# SUBMITTAL DATA

## EXTRUDED SUBFRAME



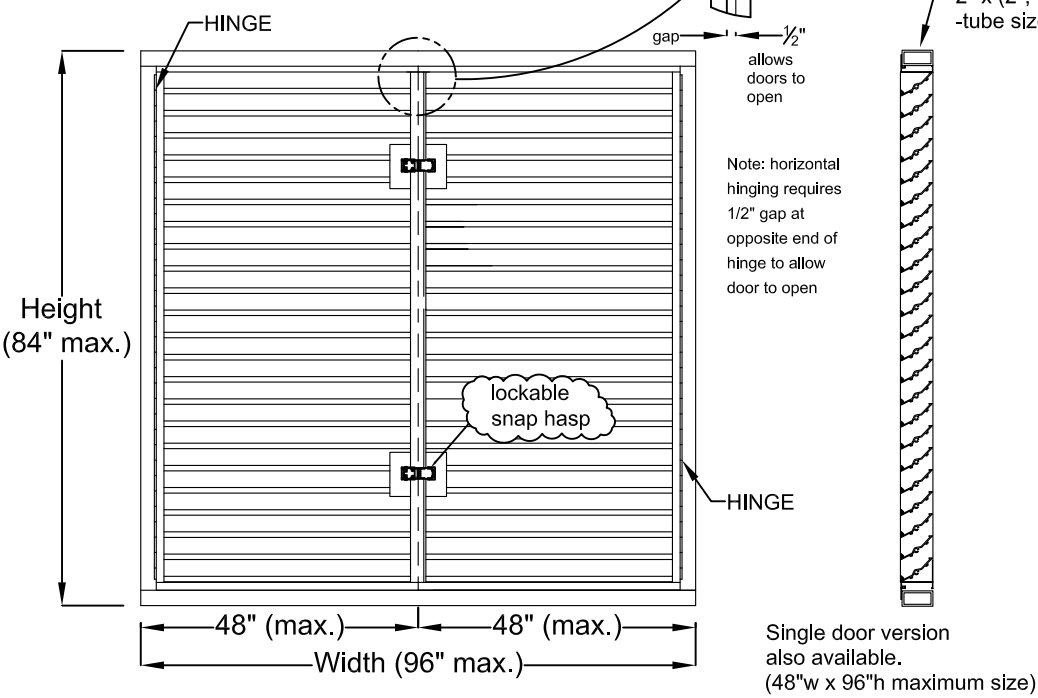
**MAXIMUM SIZE: 36"w x 36"h**  
Includes quick turn latches

QTY.	SIZE	TAG

## HINGE OPTIONS:

- Hinge Direction
  - Vertical
  - Horizontal
  - Top
  - Bottom
- Hinge type
  - Plain steel (std.)
  - Stainless steel
  - Aluminum
- No hinge, no fasteners  
Contractor to field mount louvers in subframe.
- Hasp with staple twist
- Padlock for hasp

## HEAVY DUTY TUBE SUBFRAME



**MAXIMUM SIZE: 96"w x 84"h**  
Includes heavy duty lockable hasp (std.)

**NOTE: FOR SIZES LARGER THAN 96"w x 84"h, PLEASE CONSULT FACTORY**

## HINGE OPTIONS:

- Hinge Direction
  - Vertical
  - Horizontal
  - Top
  - Bottom
- Hinge type
  - Plain steel (std.)
  - Stainless steel
  - Aluminum
- No hinge, no fasteners  
Contractor to field mount louvers in subframe.
- Hasp with staple twist
- Padlock for hasp

Single door version also available.  
(48"w x 96"h maximum size)

Due to continuing research, United Enertech reserves the right to change specifications without notice.

Job Name: \_\_\_\_\_

Location: \_\_\_\_\_

Architect: \_\_\_\_\_

Engineer: \_\_\_\_\_

Contractor: \_\_\_\_\_

3005 South Hickory Street  
Chattanooga, Tennessee 37407  
Tel: (423) 698-7715  
Fax: (423) 698-6629  
www.unitedenertech.com

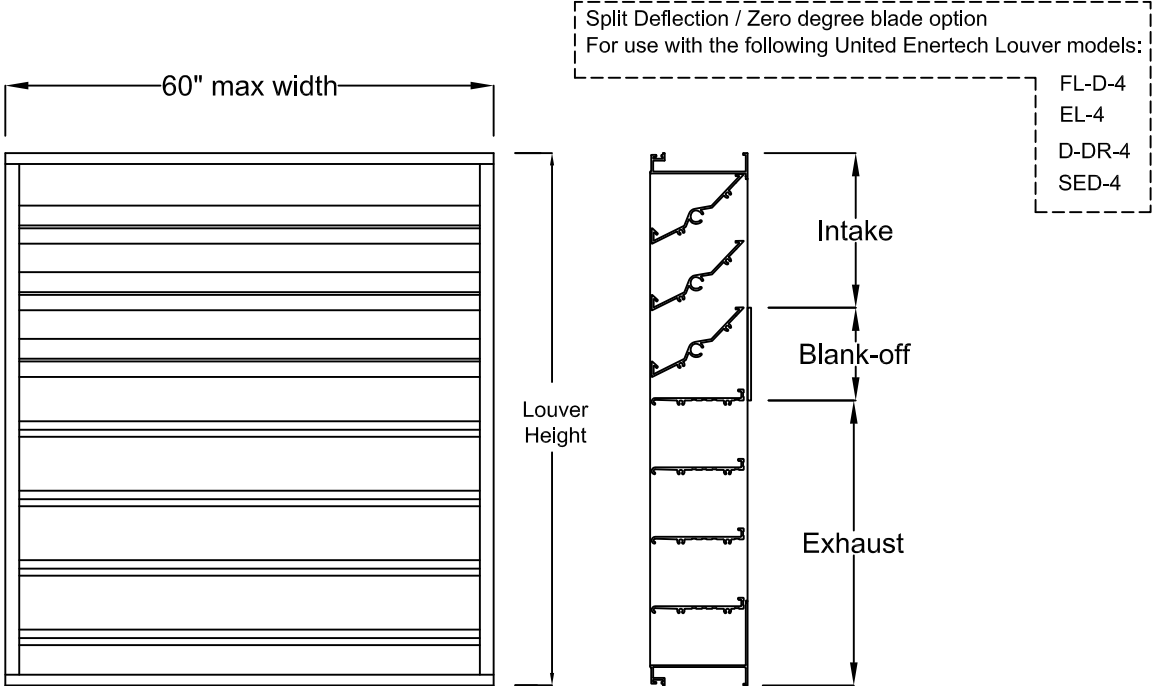
---

Louver Details

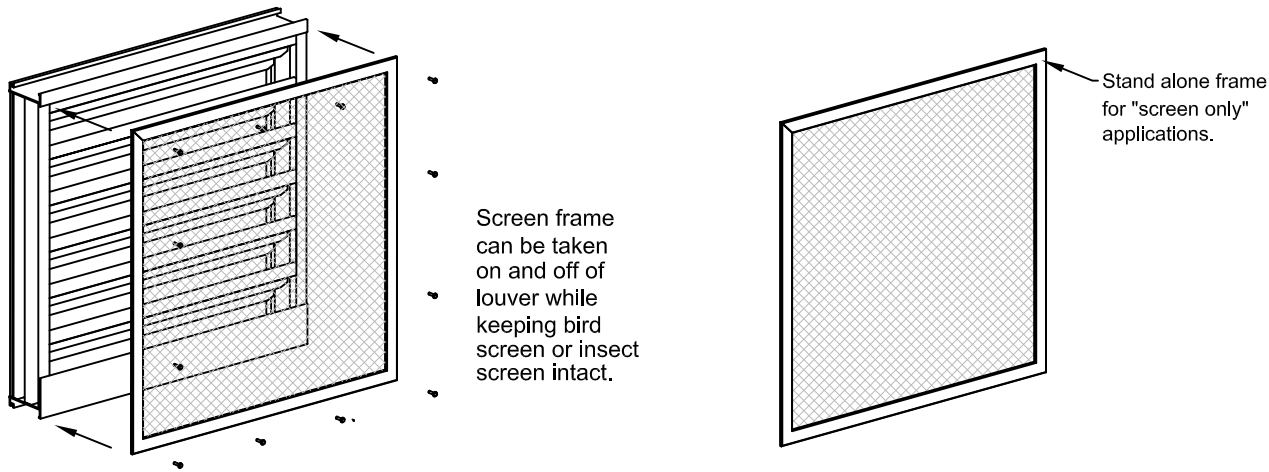
DRAWN BY:	DATE:	REV. DATE:	REV. NO.:	APPROVED BY:	DWG. NO.:
MHM	3-24-10	2-18-13	1	BGT	<b>A-56</b>

**SUBMITTAL DATA**

**Split Deflection/Zero degree blade option**



**Stand-alone bird/insect screen**



Due to continuing research, United Enertech reserves the right to change specifications without notice.

Job Name:
Location:
Architect:
Engineer:
Contractor:



3005 South Hickory Street  
Chattanooga, Tennessee 37407  
Tel: (423) 698-7715  
Fax: (423) 698-6629  
www.unitedenertech.com

**Louver Details**

DRAWN BY:	DATE:	REV. DATE:	REV. NO.	APPROVED BY:	DWG. NO.:
CLJ	3-24-10	4-16-13	2	BGT	<b>A-56a</b>